

Automatic Type



2P/25A



4P/25A



2P/40、63A



4P/40、63A



Aux.

Manual Type



2P/25A



4P/25A



2P/40、63A



4P/40、63A

Technical Data

Electrical Features

Voltage rating(Ue)	1P, 2P	250V AC
	3P, 4P	400V AC
Frequency	50/60Hz	
Endurance(O-C)		
Electrical life	100,000	
Maximum number of switching operation a day	100	
Additional characteristics		
Insulation vwlage(Ui)	500V AC	
Pollution degree	2	
Rated impulse withstand voltage(Uimp)	2.5kV(4kV@ 12/24/48VAC)	
Degree of protection (IEC 60529)	IP20 IP40	
Operating temperature	-5°C~+60°C(1)	
Storage temperature	-40°C~+70°C	
Tropicalization(IEC 60068-1)	Treatment 2(relative humidity 95% at 55°C)	
ELSV compliance(Extra Low Safety Voltage)for 12/24/48VAC versions		
The product control conforms to the SELV(safety extra low voltage)requirements		

(1) In the case of contactor mounting in a enclosure for which the interior temperature is in range between 50°C and 60°C, it is necessary to use a spacer, between each contactor

EKMF Type Reference List

Automatic Type	No. of Poles	Model	Rating(In)		Rated voltage Ue (V AC)(50Hz)	Circuit Diagram
			AC-7a	AC-7b		
1P	1P	EKMF-1610	16A	6A	24 110 230	
		EKMF-2010	20A	7A		
		EKMF-2510	25A	9A		
		EKMF-1601	16A	6A		
		EKMF-2001	20A	7A		
		EKMF-2501	25A	9A		
		EKMF-3210	32A	12A		
		EKMF-4010	40A	18A		
		EKMF-6310	63A	25A		
		EKMF-3201	32A	12A		
		EKMF-4001	40A	18A		
		EKMF-6301	63A	25A		
2P	2P	EKMF-1620	16A	6A	24 110 230	
		EKMF-2020	20A	7A		
		EKMF-2520	25A	9A		
		EKMF-1611	16A	6A		
		EKMF-2011	20A	7A		
		EKMF-2511	25A	9A		
		EKMF-1602	16A	6A		
		EKMF-2002	20A	7A		
		EKMF-2502	25A	9A		
		EKMF-3220	32A	12A		
		EKMF-4020	40A	18A		
		EKMF-6320	63A	25A		
		EKMF-3211	32A	12A		
		EKMF-4011	40A	18A		
		EKMF-6311	63A	25A		
		EKMF-3202	32A	12A		
		EKMF-4002	40A	18A		
		EKMF-6302	63A	25A		
		EKMF-8011	125A	32A		
		EKMF-8020	32A	32A		
		EKMF-10020	80A	40A		
		EKMF-12520	100A	50A		
		EKMF-10011	100A	40A		
		EKMF-12511	125A	50A		
EKMF-8002	80A	32A				
EKMF-10002	100A	40A				
EKMF-12502	125A	50A				
3P	3P	EKMF-1630	16A	6A	24 110 230 380	
		EKMF-2030	20A	7A		
		EKMF-2530	25A	9A		
		EKMF-1603	16A	6A		
		EKMF-2003	20A	7A		
		EKMF-2503	25A	9A		

EKMF Type Reference List

Automatic Type	No. of Poles	Model	Rating(In)		Rated voltage Ue (V AC)(50Hz)	Circuit Diagram
			AC-7a	AC-7b		
3P		EKMF-3230	32A	12A	24 110 230 380	
		EKMF-4030	40A	18A		
		EKMF-6330	63A	25A		
		EKMF-3203	32A	12A		
		EKMF-4003	40A	18A		
		EKMF-6303	63A	25A		
4P		EKMF-1640	16A	6A	24 110 230 380	
		EKMF-2040	20A	7A		
		EKMF-2540	25A	9A		
		EKMF-1604	16A	6A		
		EKMF-2004	20A	7A		
		EKMF-2504	25A	9A		
		EKMF-1622	16A	6A		
		EKMF-2022	20A	7A		
		EKMF-2522	25A	9A		
		EKMF-1631	16A	6A		
		EKMF-2031	20A	7A		
		EKMF-2531	25A	9A		
		EKMF-3240	32A	12A		
		EKMF-4040	40A	18A		
		EKMF-6340	63A	25A		
		EKMF-3204	32A	12A		
		EKMF-4004	40A	18A		
		EKMF-6304	63A	25A		
		EKMF-3222	32A	12A		
		EKMF-4022	40A	18A		
		EKMF-6322	63A	25A		
		EKMF-3231	32A	12A		
		EKMF-4031	40A	18A		
		EKMF-6331	63A	25A		
		EKMF-8040	80A	32A		
		EKMF-10040	100A	40A		
		EKMF-12540	125A	50A		
		EKMF-8004	80A	32A		
		EKMF-10004	100A	40A		
		EKMF-12504	125A	50A		
EKMF-8022	80A	32A				
EKMF-10022	100A	40A				
EKMF-12522	125A	50A				
EKMF-8031	80A	32A				
EKMF-10031	100A	40A				
EKMF-12531	125A	50A				

EKMF Type Reference List

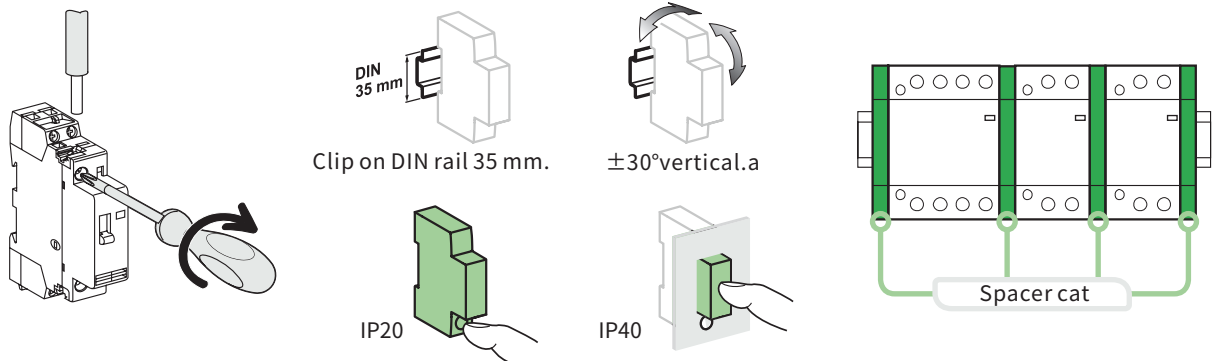
Manual Type	No. of Poles	Model	Rating(In)		Rated voltage Ue (V AC)(50Hz)	Circuit Diagram
			AC-7a	AC-7b		
1P	1P	EKMF-1610M	16A	6A	24 110 230	
		EKMF-2010M	20A	7A		
		EKMF-2510M	25A	9A		
		EKMF-1601M	16A	6A		
		EKMF-2001M	20A	7A		
		EKMF-2501M	25A	9A		
2P	2P	EKMF-1620M	16A	6A	24 110 230	
		EKMF-2020M	20A	7A		
		EKMF-2520M	25A	9A		
		EKMF-1611M	16A	6A		
		EKMF-2011M	20A	7A		
		EKMF-2511M	25A	9A		
		EKMF-1602M	16A	6A		
		EKMF-2002M	20A	7A		
		EKMF-2502M	25A	9A		
		EKMF-3220M	32A	12A		
		EKMF-4020M	40A	18A		
		EKMF-6320M	63A	25A		
		EKMF-3211M	32A	12A		
		EKMF-4011M	40A	18A		
		EKMF-6311M	63A	25A		
		EKMF-3202M	32A	12A		
		EKMF-4002M	40A	18A		
		EKMF-6302M	63A	25A		
3P	3P	EKMF-1630M	16A	6A	24 110 230 380	
		EKMF-2030M	20A	7A		
		EKMF-2530M	25A	9A		
		EKMF-1603M	16A	6A		
		EKMF-2003M	20A	7A		
		EKMF-2503M	25A	9A		
		EKMF-3230M	32A	12A		
		EKMF-4030M	40A	18A		
		EKMF-6330M	63A	25A		
		EKMF-3203M	32A	12A		
		EKMF-4003M	40A	18A		
		EKMF-6303M	63A	25A		
4P	4P	EKMF-1640M	16A	6A	24 110 230 380	
		EKMF-2040M	20A	7A		
		EKMF-2540M	25A	9A		
		EKMF-1604M	16A	6A		
		EKMF-2004M	20A	7A		
		EKMF-2504M	25A	9A		
		EKMF-1622M	16A	6A		
		EKMF-2022M	20A	7A		
EKMF-2522M	25A	9A				

EKMF Type Reference List

Manual Type	No. of Poles	Model	Rating(In)		Rated voltage Ue (V AC)(50Hz)	Circuit Diagram
			AC-7a	AC-7b		
4P		EKMF-1631M	16A	6A	24 110 230 380	
		EKMF-2031M	20A	7A		
		EKMF-2531M	25A	9A		
		EKMF-3240M	32A	12A		
		EKMF-4040M	40A	18A		
		EKMF-6340M	63A	25A		
		EKMF-3204M	32A	12A		
		EKMF-4004M	40A	18A		
		EKMF-6304M	63A	25A		
		EKMF-3222M	32A	12A		
		EKMF-4022M	40A	18A		
		EKMF-6322M	63A	25A		
		EKMF-3231M	32A	12A		
		EKMF-4031M	40A	18A		
	EKMF-6331M	63A	25A			

Connection

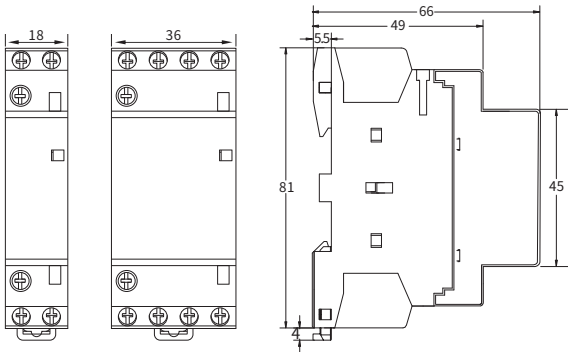
Type	Rating	Length tripping	Circuit	Tightening torque	Copper cables	
					Rigid	Flexible or ferrule
EKMF	PZ1:4MM	16-100A	Control	0.8N.m		
		16~25A			1.5~2.5mm ² 2×1.5mm ²	1.5~2.5mm ² 2×2.5mm ²
	PZ2:6MM	40A-63A	Power	3.5N.m	1.5~6mm ²	1~4mm ²
		100A			6~25mm ² 6×3.5mm ²	6~16mm ² 6~35mm ²



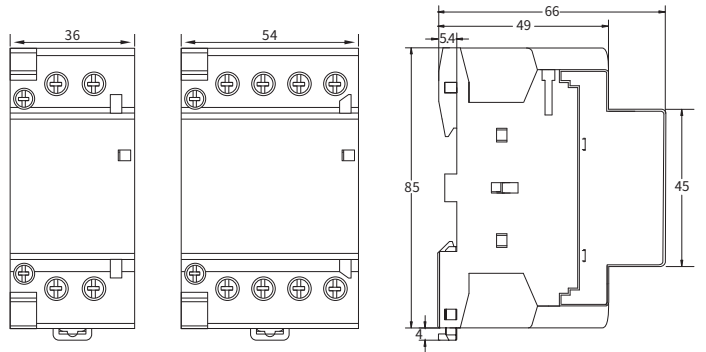
Consumption

EKMF Contactors -50Hz	Rating(In)		Control voltage(VAC)(50Hz)	Consumption		Max. power
	AC-7a	AC-7b		Holding	Inrush	
1P	16A	6A	230	2.8VA	11.5VA	1.2W
	20A	7A	230	2.8VA	11.5VA	1.2W
	25A	9A	230	2.8VA	11.5VA	1.2W
2P	16A	6A	230	2.8VA	11.5VA	1.2W
	20A	7A	230	2.8VA	11.5VA	1.2W
	25A	9A	240	3.0VA	11.5VA	1.3W
			230	2.8VA	11.5VA	1.2W
	32A	12A	230	4.1VA	31VA	1.6W
	40A	18A	230	4.1VA	31VA	1.6W
	63A	25A	230	4.1VA	31VA	1.6W
100A	-	230	4.1VA	31VA	2.1W	
3P	16A	6A	230	4.1VA	31VA	1.6W
	20A	7A	230	4.1VA	31VA	1.6W
	25A	9A	230	4.1VA	31VA	1.6W
	32A	12A	230	7VA	48VA	2.1W
	40A	18A	230	7VA	48VA	2.1W
	63A	25A	230	7VA	48VA	2.1W
4P	16A	6A	230	4.1VA	31VA	1.6W
	20A	7A	230	4.1VA	31VA	1.6W
	25A	9A	240	4.8VA	33VA	1.6W
			230	4.1VA	31VA	1.6W
	32A	12A	230	7VA	48VA	2.1W
	40A	18A	230	7VA	48VA	2.1W
	63A	25A	230	7VA	48VA	2.1W
100A	-	230	13VA	106VA	4.2W	

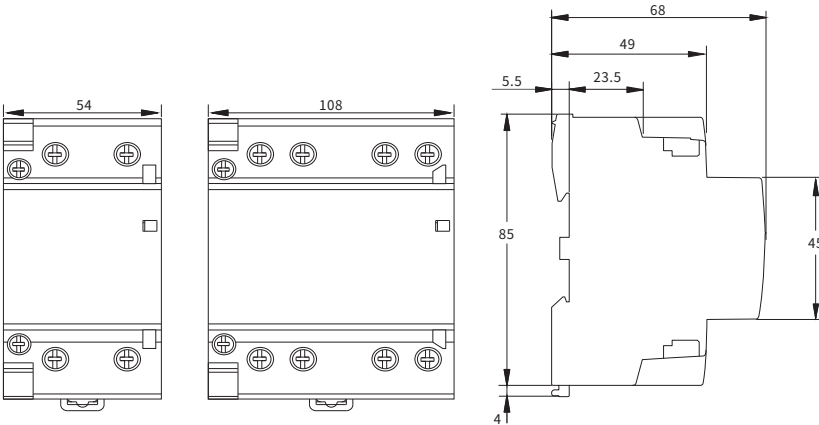
Overall and Installation Dimension(mm)



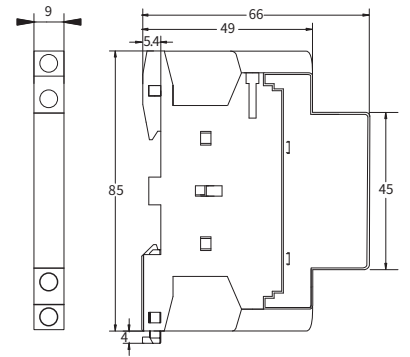
EKMF-16/20/25A



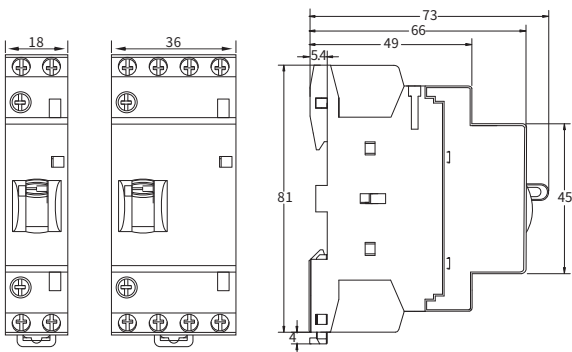
EKMF-32/40/63A



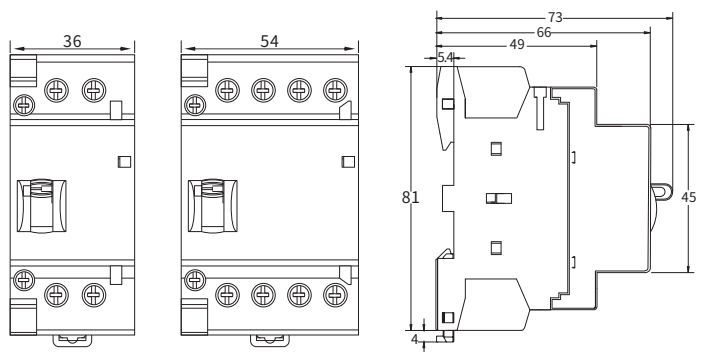
EKMF-80/100/125A



EACTs



EKMF manual control contactor 16/25A



EKMF manual control contactor 40/63A